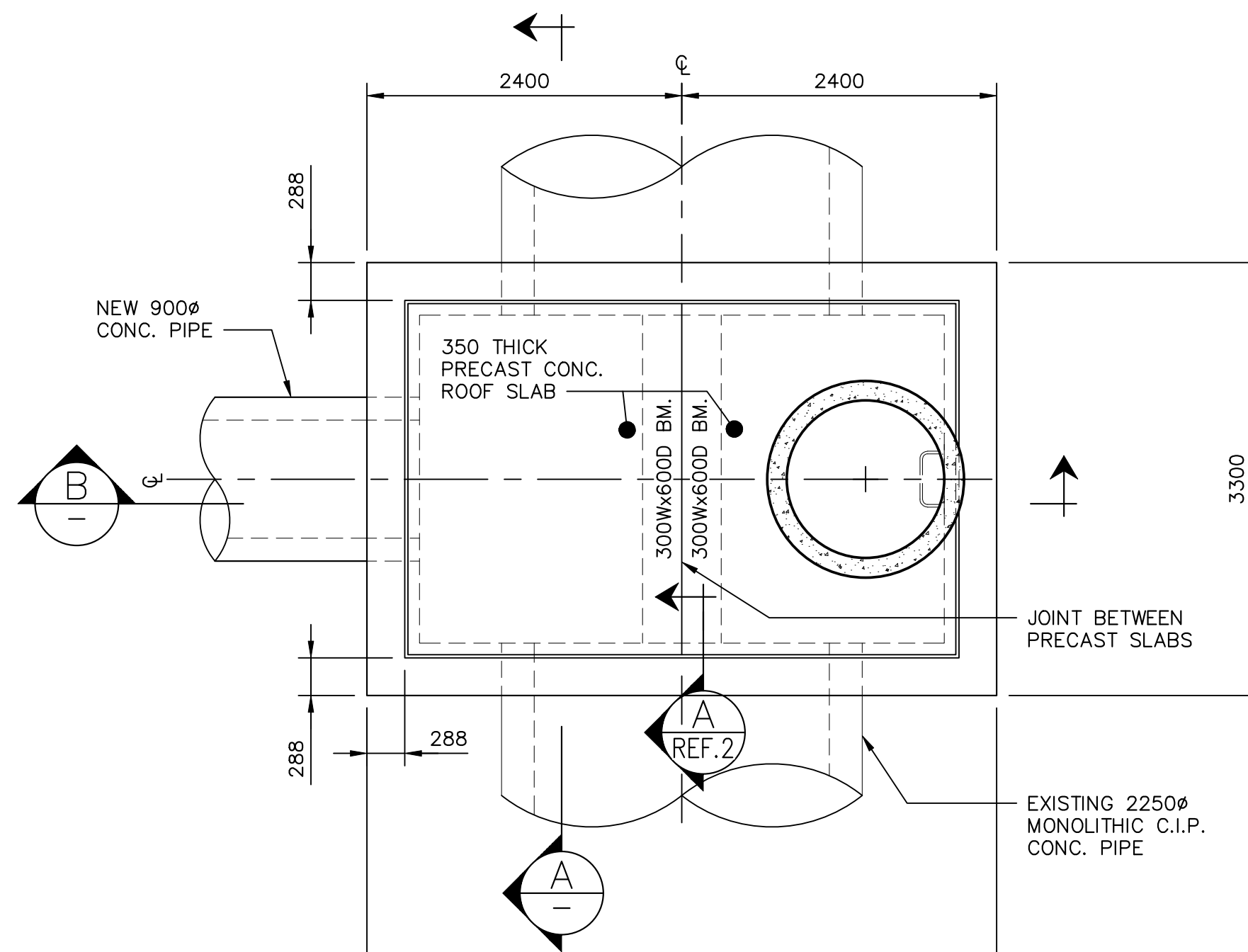
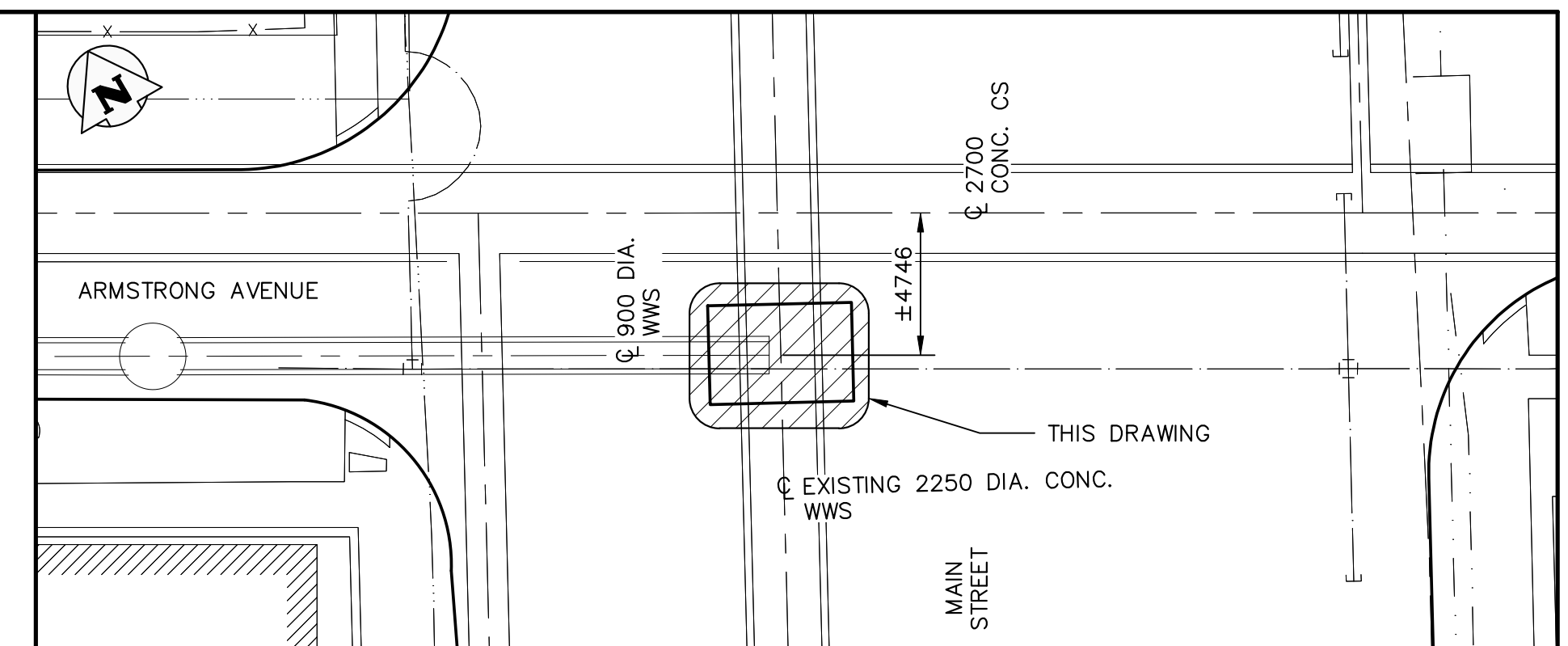


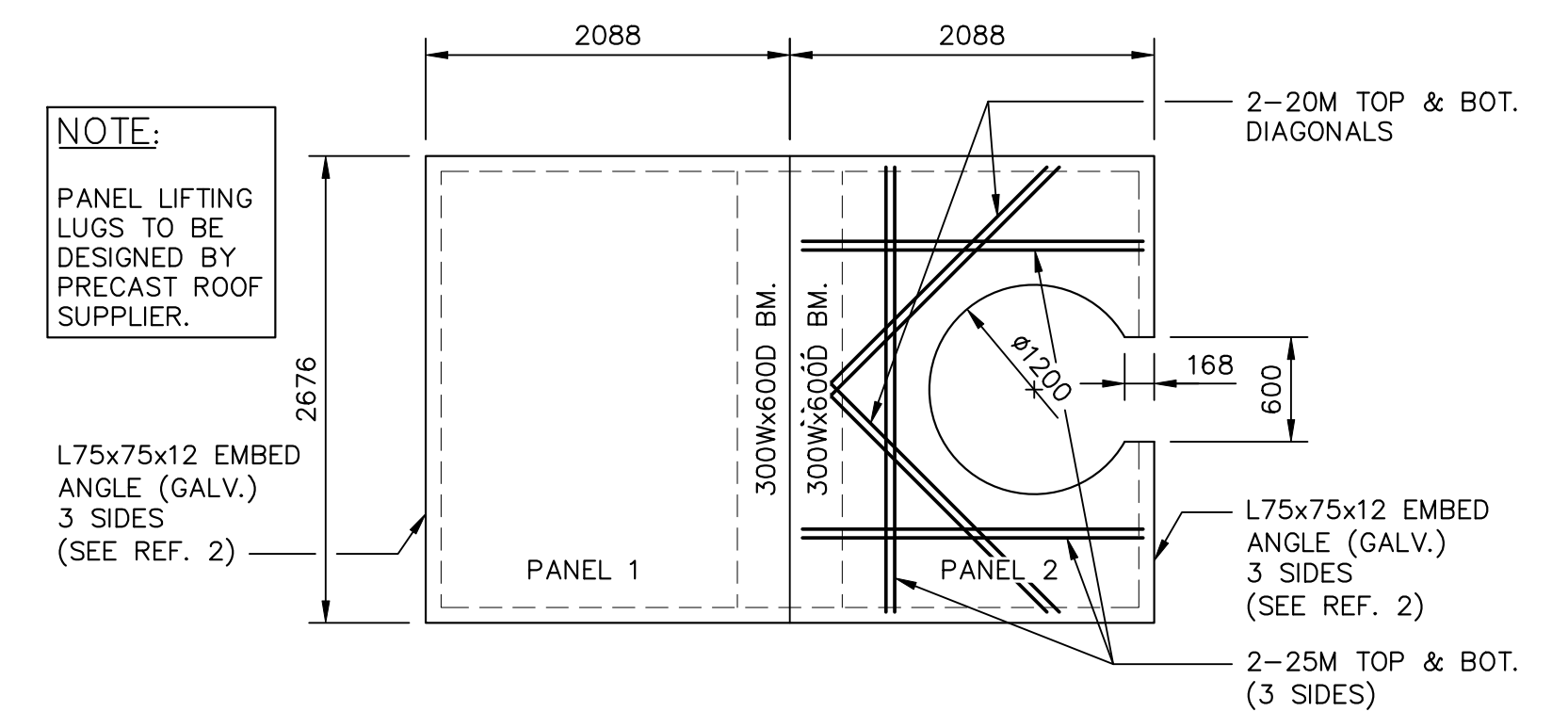
PLAN - AT EL. 219.600
SCALE: 1:40



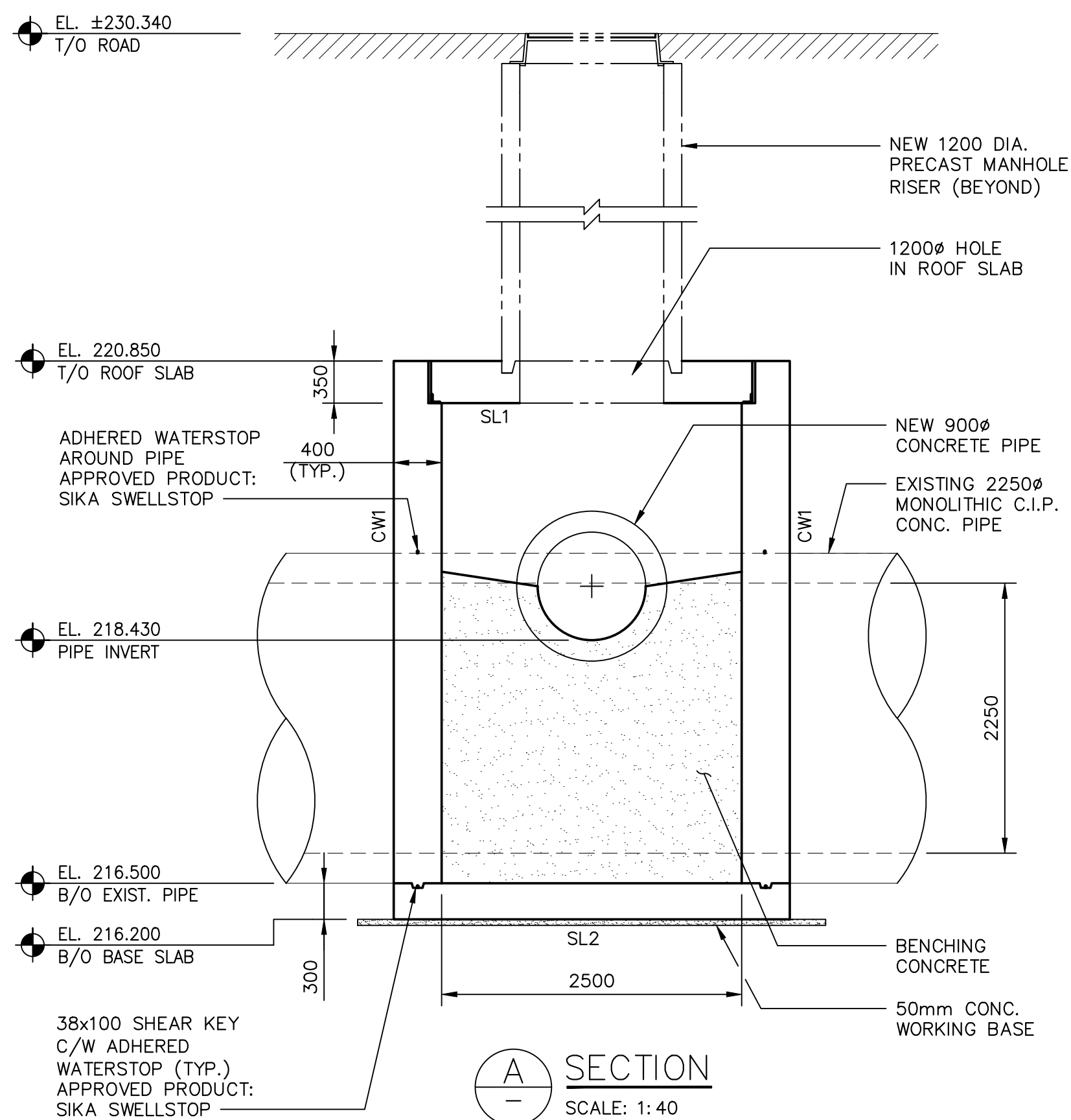
ROOF PLAN
SCALE: 1:40



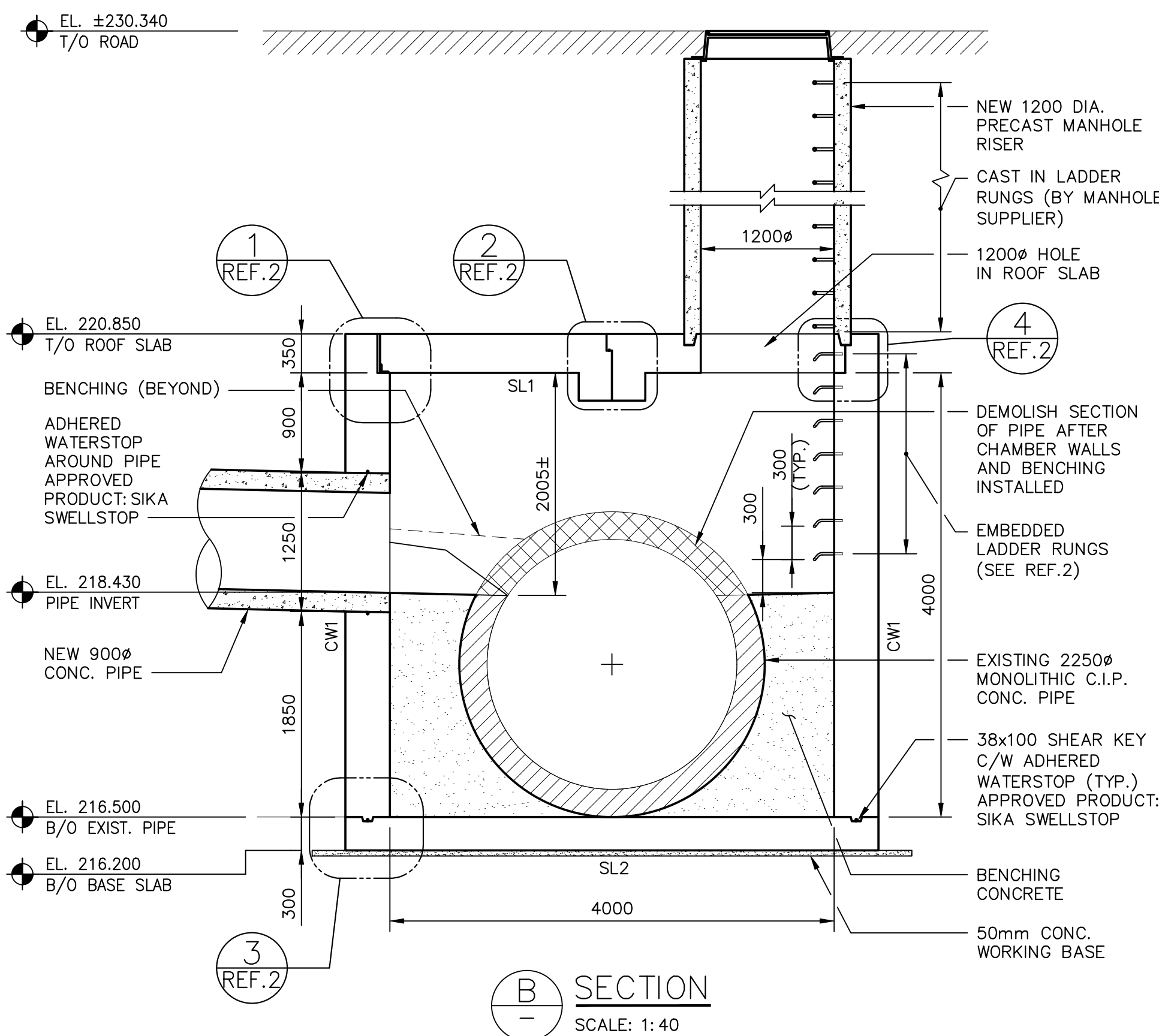
KEYPLAN
N.T.S.



PLAN - PRECAST ROOF PANELS
SCALE: 1:40



SECTION A
SCALE: 1:40

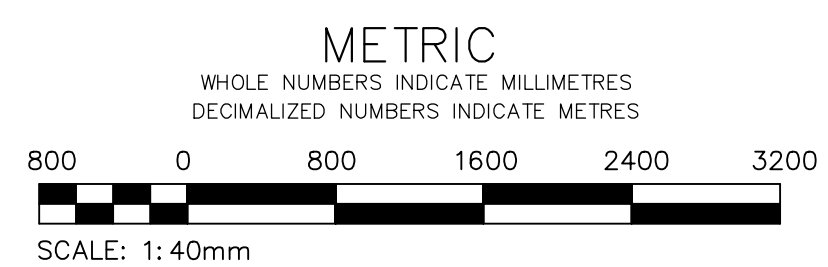


SECTION B
SCALE: 1:40

CONCRETE SLAB SCHEDULE					
MARK	THICKNESS	REINFORCING			REMARKS
		TOP	BOTTOM	ADDITIONAL	
SL1	350	20M @ 150 O/C E.W.	20M @ 150 O/C E.W.	EXTRA STRAIGHT AND DIAGONAL BARS AROUND OPENING (SEE ROOF PLAN)	PRECAST ROOF SLAB
SL2	400	20M @ 150 O/C E.W.	20M @ 150 O/C E.W.		

CONCRETE WALL SCHEDULE					
MARK	THICKNESS	REINFORCING			REMARKS
		INTERIOR	EXTERIOR	ADDITIONAL	
CW1	400	20M @ 200 O/C E.W.	20M @ 200 O/C E.W.	20M X 1200 LG. HOOKED DOWELS @ 200 O/C TO BASE SLAB LAP WITH VERT. WALL REIN.	ROOF SLAB SEAT (SEE REF. 2)

10		
9		
8		
7		
6		
5		
4		
3		
2	S3	SECTIONS AND DETAILS
1	S1	SPECIFICATION NOTES
NO.	DRAWING NUMBER	REFERENCE DRAWING TITLE
		REFERENCE DRAWINGS



VERTICAL DATUM: CGVD28 (HT2.0 Geoid)	
HORIZONTAL DATUM: NAD83 (June 1990), Zone 14	
DESIGNED BY	JMW
CHECKED BY	SS
DRAWN BY	FBV
APPROVED BY	JMW
SCALE:	HORIZONTAL AS NOTED
	VERTICAL
RELEASED FOR CONSTRUCTION	Duane Baker
DATE	25/08/29
DATE	March 12, 2026
PLOT DATE:	

KGS GROUP

DESIGNED BY: JMW
CHECKED BY: SS
DRAWN BY: FBV
APPROVED BY: JMW

SCALE: HORIZONTAL AS NOTED
VERTICAL

RELEASED FOR CONSTRUCTION
Duane Baker

DATE: 25/08/29
DATE: March 12, 2026

PLOT DATE:

ENGINEER'S SEAL

2026-03-11
CONSULTANT DRAWING NUMBER
S2

THE CITY OF WINNIPEG
WATER AND WASTE DEPARTMENT
ENGINEERING SERVICES DIVISION

ARMSTRONG SEWER RELIEF WORKS
CONTRACT 1
MANHOLE CHAMBER AT MAIN ST.
PLAN AND SECTIONS

SHEET 43 of 46
CITY DRAWING NUMBER
13687